

**Gallium®
Suite**
Where
**strength and
versatility
coalesce**

Criterion Industries

Northcorp Industry Park
15 Corporate Place
Broadmeadows Victoria 3047

Telephone 03 9355 0700
Facsimile 03 9355 0777

sales@criterionindustries.com.au
www.criterionindustries.com.au



Gallium Suite

The Gallium suite is a glazing system that can be incorporated into any office fitout, regardless of wall thickness. This provides added versatility, as the frames can be installed after the plasterwork has been completed. Shadow lines can be created between the rear of the frame and the plasterboard, adding extra impact and effect to the fit out.

The robust Gallium 100 frame creates a sensation of rigidity and presence within the office. The Gallium 45 frame provides a slimline alternative and often matches the reveal dimension of external shopfronts.

Concealed fixtures and a vast array of prefinished colours are available including powder coated and anodised finishes allowing you the ultimate appearance.

Specifications and photos of the Gallium 45 and 100 suites are contained within this brochure.

Take a look inside and discover 'where strength and versatility coalesce'.



Gallium 45

Where strength and versatility coalesce.

The Gallium 45 is a streamlined glazing suite, which can be incorporated into any wall thickness. The door frame has been designed with a concealed centre fix provision. This simplifies the frame installation into an existing opening. The window frame section has a 'clip out bead' on all sides to ensure ease of glass installation.

Features of the Gallium 45

- Incorporates 6mm to 12mm glass;
- Ease of installation;
- Able to be used in conjunction with a range of wall thickness; and
- Slimline appearance.





Gallium 100

Where strength and versatility coalesce.

The Gallium 100 is a robust glazing suite with a substantial presence. Shadowline features are often incorporated with this suite, further enhancing its corporate appearance. With its extra size, the suite is often used in areas where, due to height or other factors, a sturdier frame is required.

The heavy door frame is especially reinforced to allow for the installation of solid core doors. The overhead transom allows for a transom closer to

be concealed within the transom, and can be used for either a single action or a pivot action door.

This suite is often used in an external application. The range includes a sub head and sill for weather conditions.

The Gallium 100 frame can be installed either before or after the solid walls have been installed.

The adaptor function into the rear of the frame allows for a consistent dimension between doors and windows.

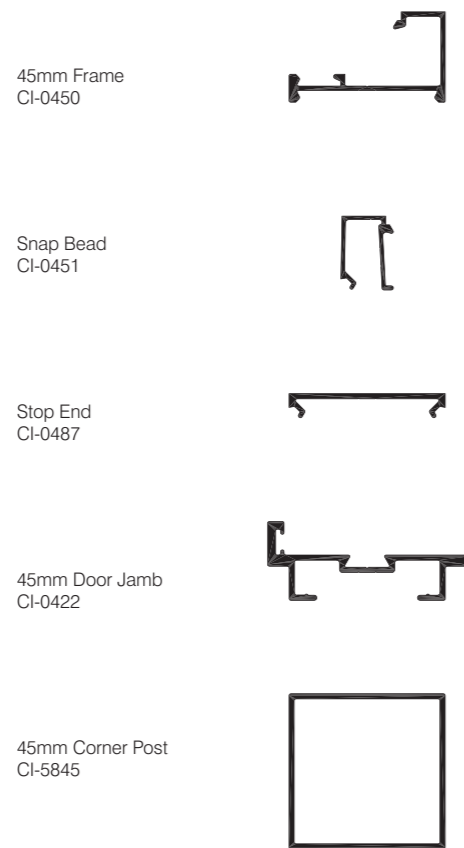
Features of the Gallium 100

- Durable heavy duty frame;
- Incorporates 35mm or 44mm doors;
- Glazing pocket incorporates glass from 4mm to 10mm; and
- Frames can be cut to size and punched prior to delivery.

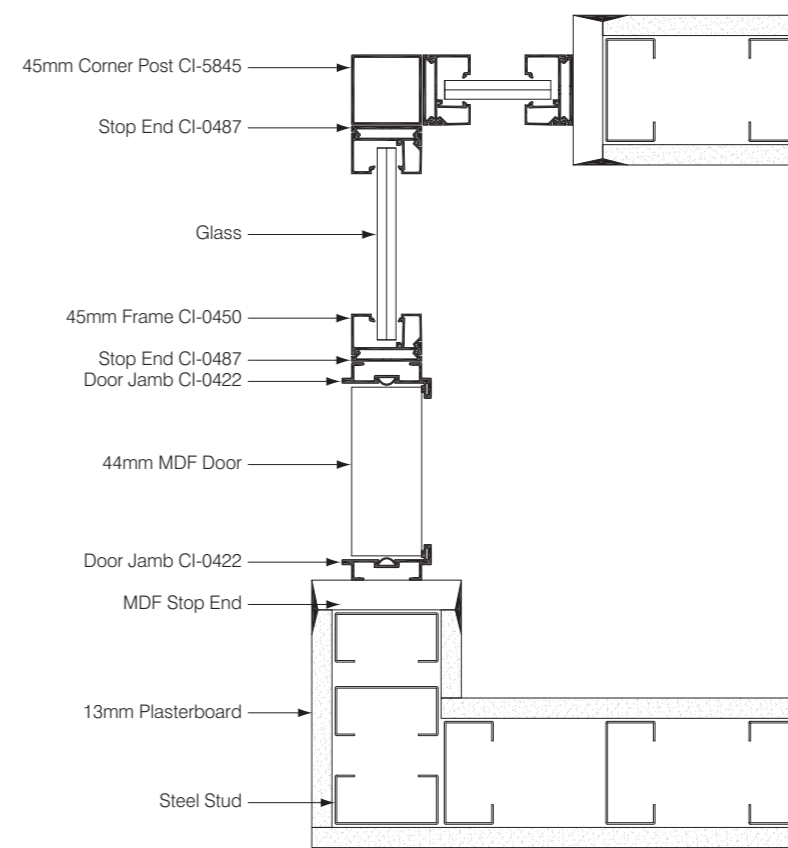


Gallium 45

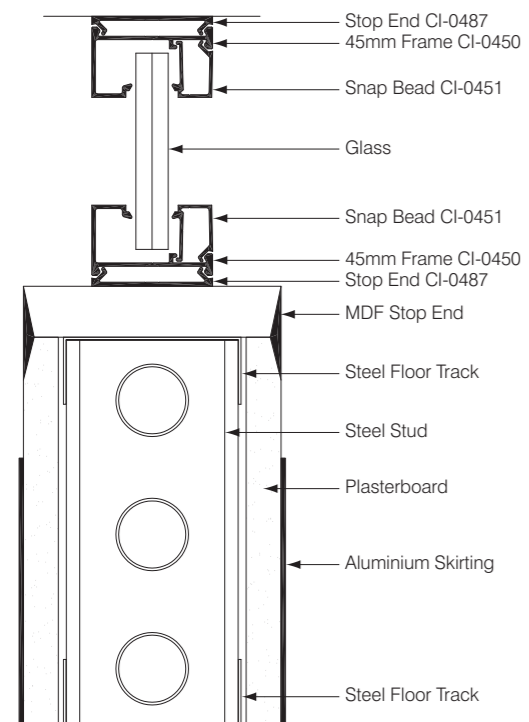
Section Drawings



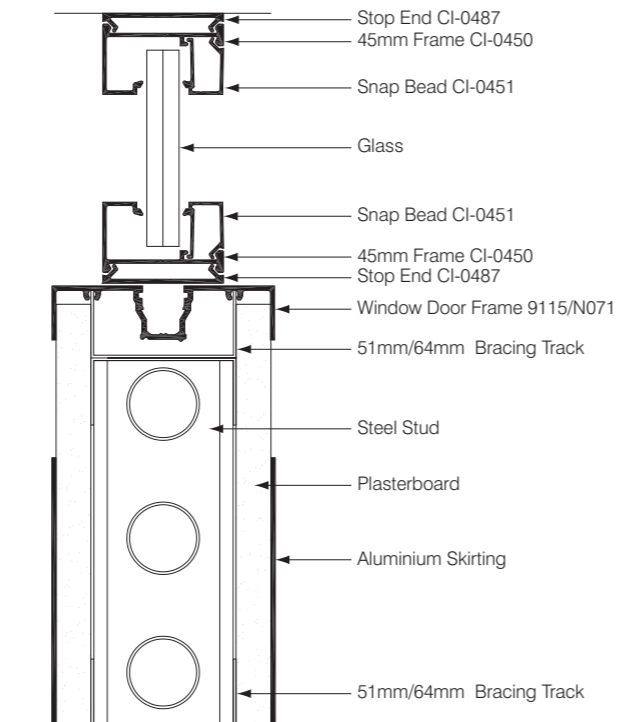
Plan View



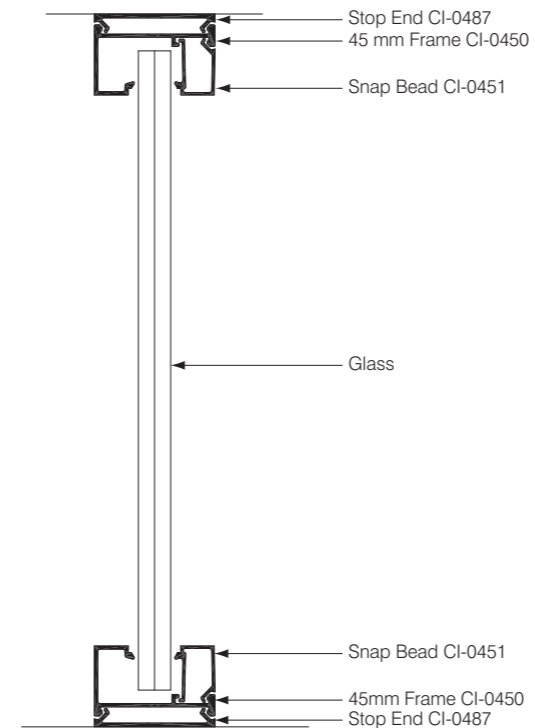
Half Height Glazing



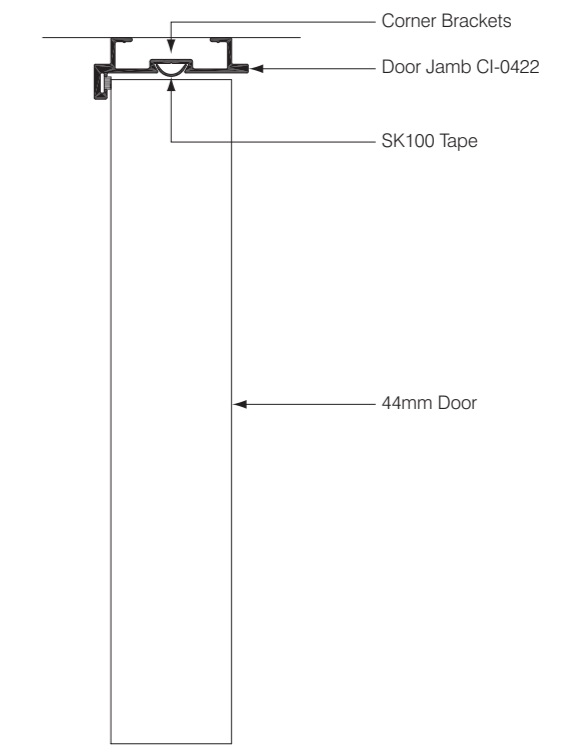
Half Height Glazing



Full Height Glazing

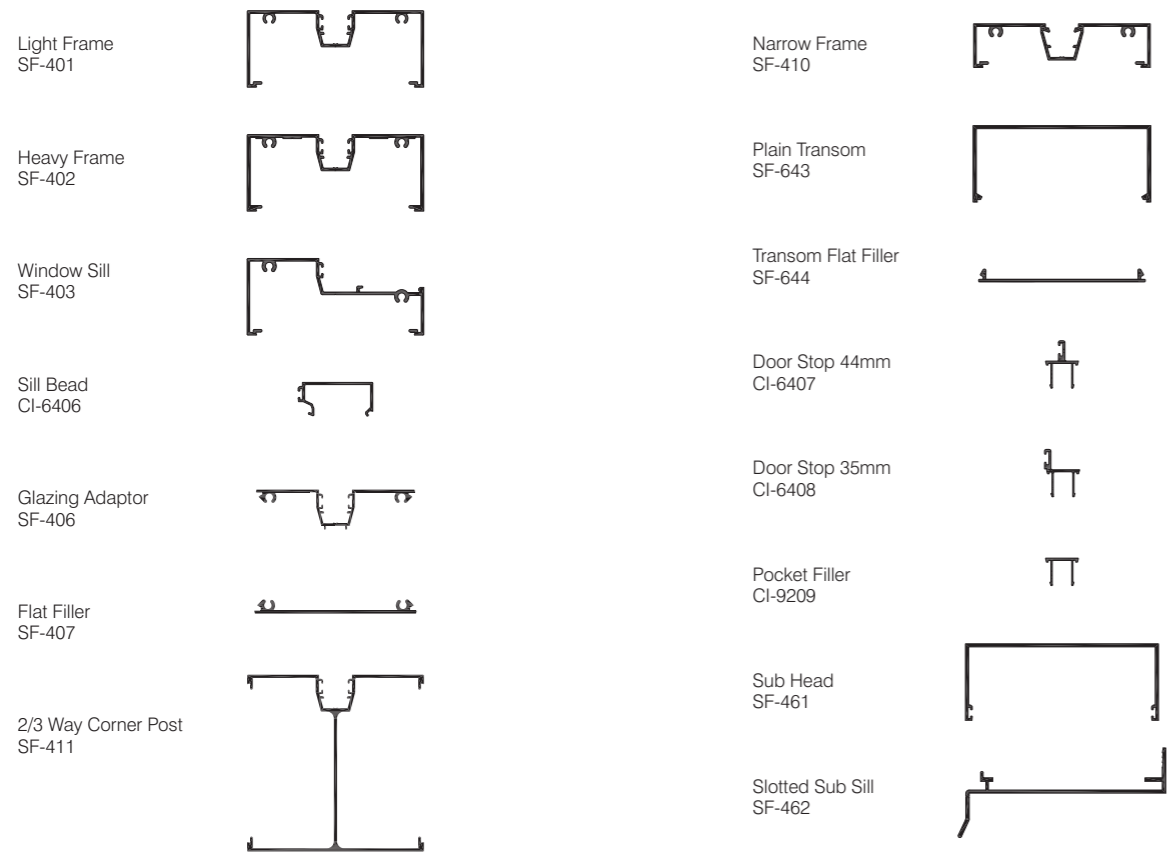


Full Height Door

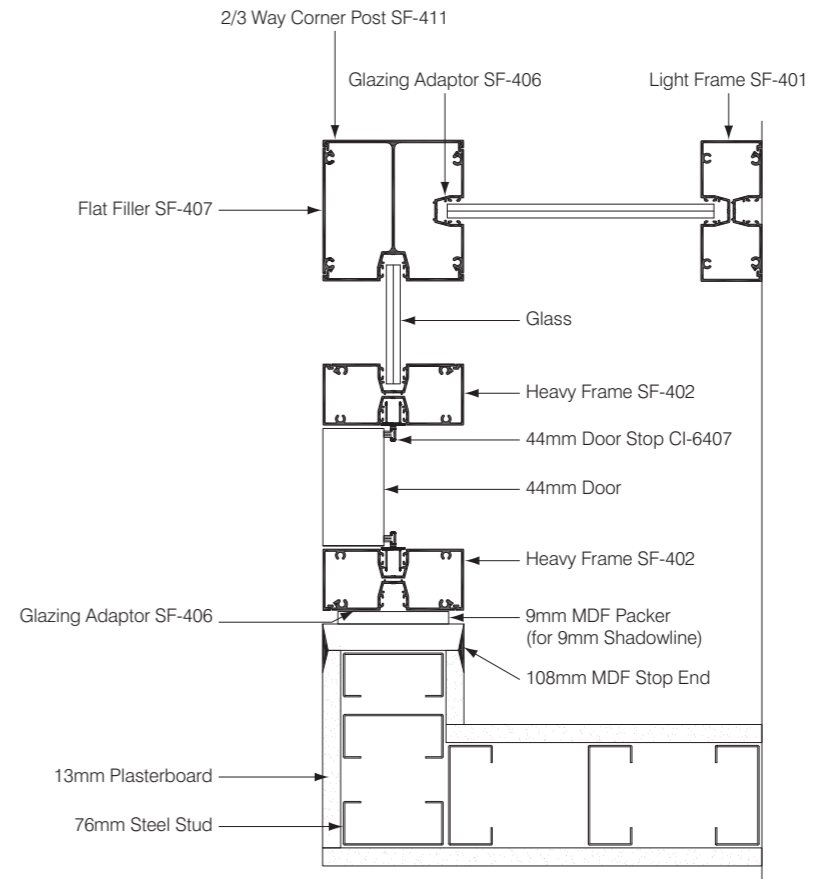


Gallium 100

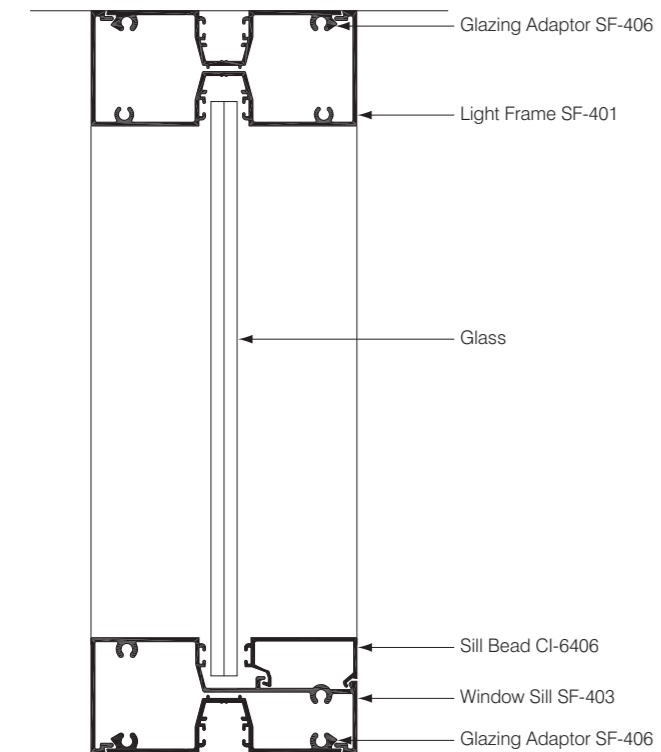
Section Drawings



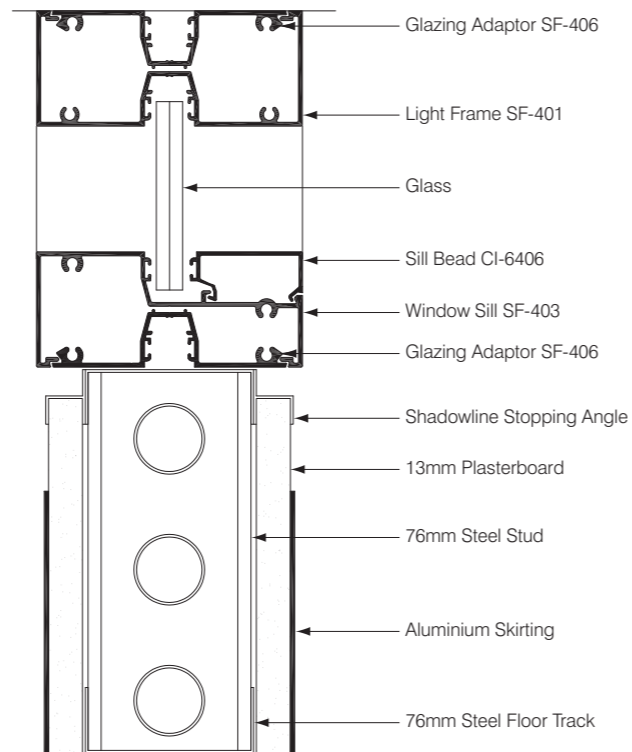
Plan View



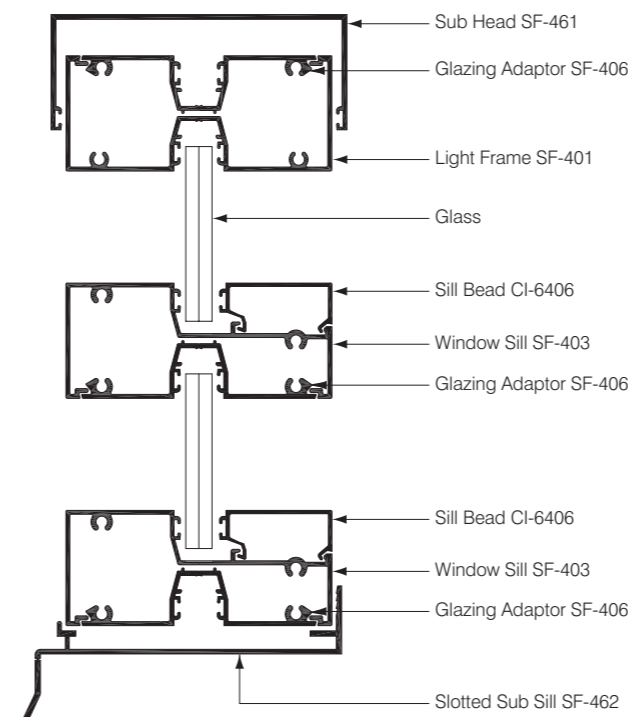
Full Height Glazing



Half Height Glazing



External Glazing



Overhead COC Transom Closer (Aluminium Door)

